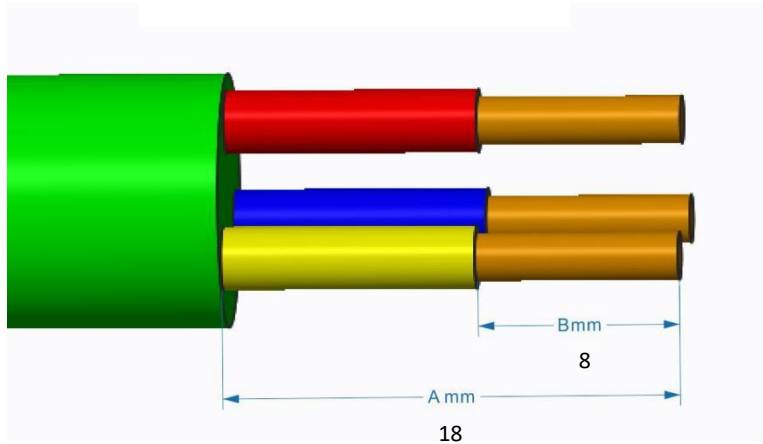
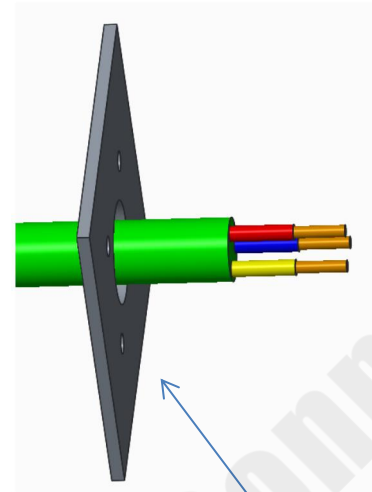


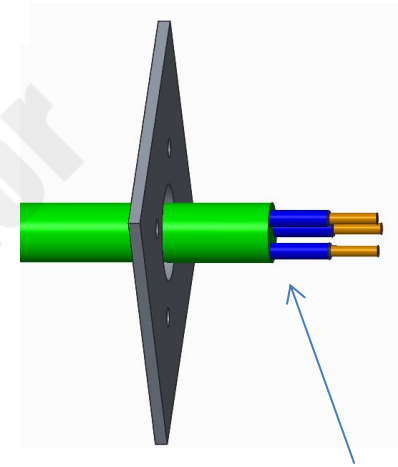
## WK16-Z Square flange socket assembling instruction-Solder



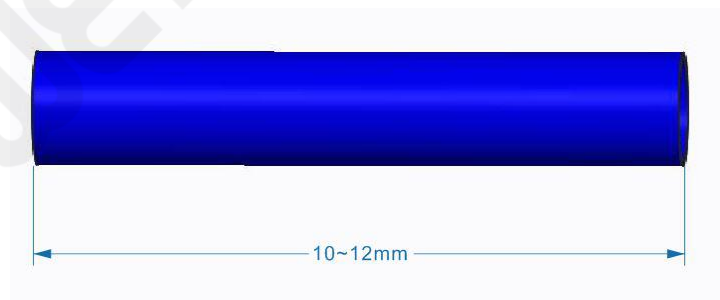
1、Strip length



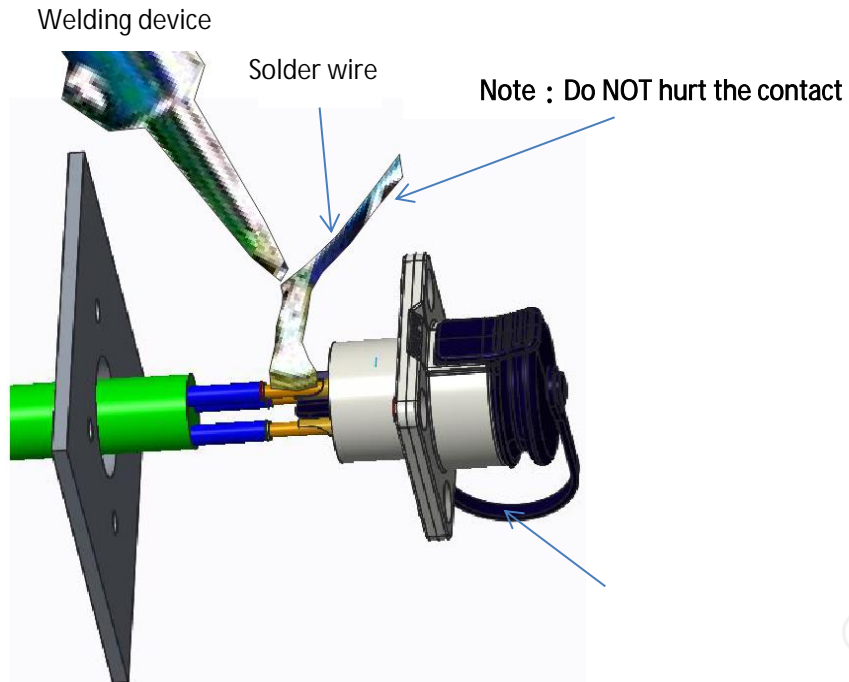
2、Put the cable/wire throught the panel.



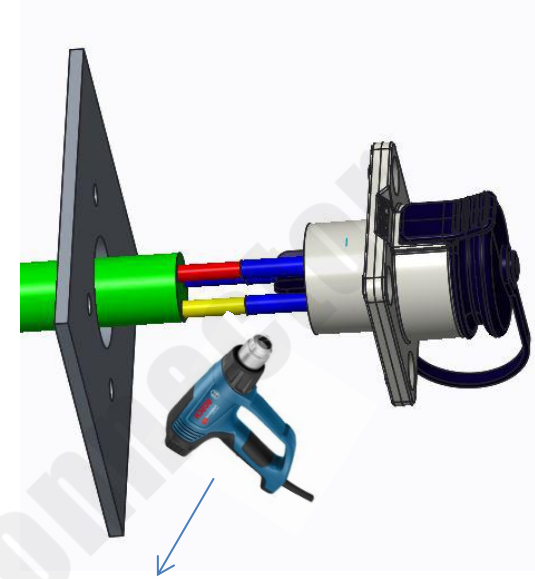
3、Put the HS tube on wire.



4、Recommended Length of HS tube



5、 Solder the wire to the contact and wrap with HS tube after soldering.



6、 Wrap the HS tube tightly by using hot air gun.

7、 Install the socket on panel with screws tightly via a Screwdriver.

